

Little Buck and Big Buck Camp Stove Installation & Operation Manual

Caution

Please read this entire manual before installation and use of this wood fuel-burning appliance. Keep children, furniture, fixtures and all combustibles away from any heating appliance.

SAVE THESE INSTRUCTIONS

Safety Notice

Failure to follow these instructions can result in property damage, bodily injury or even death. For your safety and protection, follow the instructions outlined in this manual.

THIS WOOD HEATER NEEDS PERIODIC INSPECTION AND REPAIR FOR PROPER OPERATION. CONSULT THE OWNER'S MANUAL FOR FURTHER INFORMATION. IT IS AGAINST FEDERAL REGULATIONS TO OPERATE THIS WOOD HEATER IN A MANNER INCONSISTENT WITH THE OPERATING INSTRUCTIONS IN THE OWNER'S MANUAL. **FOR OUTDOOR USE ONLY!!!**

MADE IN USA

Manufactured by Buck Stove

200 Ethan Allen Dr, Spruce Pine, NC 28777

www.buckstove.com | (828) 765-6144

Revised November 2023

CAUTION

- Keep away from children.
- Supervise children in the same vicinity as this appliance.
- Alert children and adults to the hazards of high temperatures.
- DO NOT operate with protective barriers open or removed.
- Hot while in operation! Keep clothing, furniture and other combustibles away. Contact may result in skin burns!
- **Do not over-fire your unit.**
- **Never** allow your stove to get so hot that your stovepipe becomes red. Reduce airflow on your door air intake to reduce the heat.
- Installation MUST comply with local, regional, state and national codes and regulations.
- Consult local building, fire officials or authorities having jurisdiction.

WARNING

- Keep all flame and heat sources away from tent fabric. Many tents are flame resistant; this does **not** mean they are fire proof. DO not insert stove pipe directly through the fabric. A rubber military-style stove jack must be used. If a rain fly is being used on the tent a military-style stove jack must be used in both the rain fly and the tent. Read and follow the Stove Jack manufacturer's Instructions.
- Only for use in tents made for stove usage (i.e., a canvas wall tent with a stove jack); not for use in nylon or other tents not suited for stove use.
- Always leave a window cracked or door partly open when using this stove.
- NEVER place your stove on a tent floor or other flammable material.
- Stove sparks will burn holes in a fire treated roof. A spark arrestor will help prevent most sparks from reaching your roof.
- NEVER USE FLAMMABLE LIQUIDS TO START A FIRE IN YOUR STOVE.

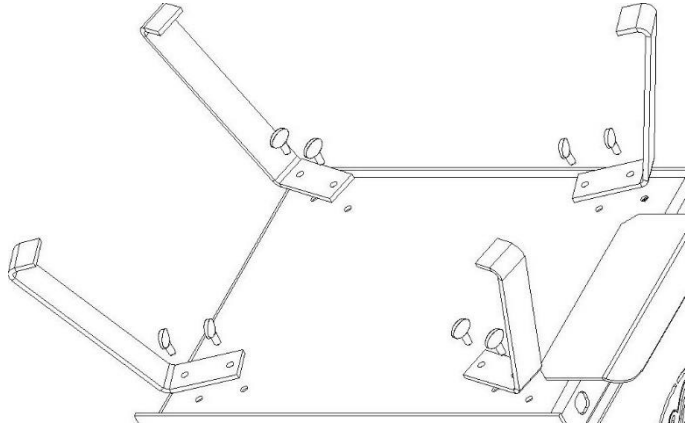
- **THIS CAMP STOVE (AKA WALL TENT STOVE) IS A WOOD HEATER AND COOK STOVE THAT MUST BE USED FOR RECREATIONAL PURPOSES ONLY, SUCH AS ICE FISHING, CAMPING AND HUNTING. IT WAS NOT DESIGNED FOR RESIDENTIAL HEATING. IT IS IDEAL FOR COOKING, AS WELL AS HEATING FOR TEMPORARY INSTLLATIONS SUCH AS WALL TENTS.**
- **THE STOVE MUST NOT BE HOOKED UP TO A HOT AIR DISTRUBIUTION SYSTEM. AS AN EXCESSIVE ACCUMULATION OF HEAT MAY OCCUR. IT IS PROHIBITED TO INSTALL THIS STOVE IN ANY PERMANENT STRUCTURE, INCLUDING A HOME OR MOBILE HOME.**

Table of Contents

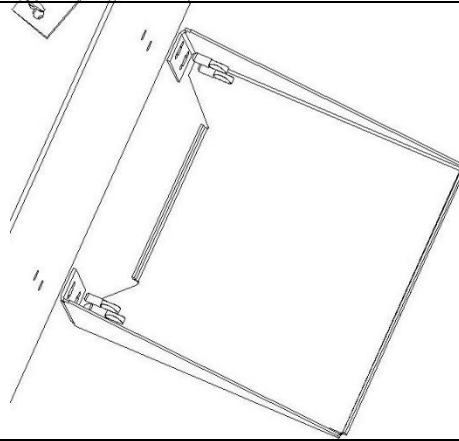
Assembly & Clearances	4-5
Installation	6-7
Operation	7-9
Maintenance	9-10
Parts	11
Warranty	12-13
Owner Registration.....	15

Assembly

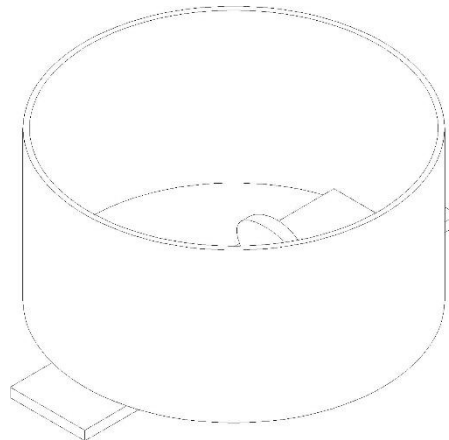
Install legs by turning stove upside down (or on its back) and install (2) thumb screws per leg with the holes in the bottom.



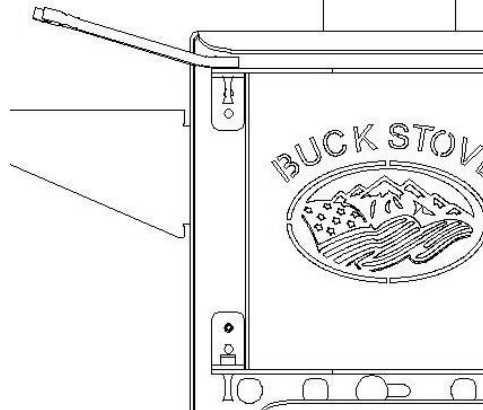
Leaving the stove in the position you put the legs on. Install shelves by the holes on the sides and install (4) thumb screws per shelf.



Stand the stove up on its legs and slide the collar assembly into the hole cut out on the top. Once you get the collar assembly centered on the hole tighten the (2) thumb screws to secure in place.



To change your door, Use a 7/16" wrench and place on the nylon lock nut. Loosen the door by holding the wrench and turning the thumb screw with pliers.



Tear Down

Allow stove to **COMPLETELY** cool down before removing legs, shelves, pipe or performing any tear down or transport.

Floor Protection

The stove must be placed on a non-combustible surface. The following minimum requirements must apply.

	FRONT	SIDES	REAR	THICKNESS
USA	16"	6"	6"	1/64"
Canada	18" (460mm)	8" (200mm)	8" (200mm)	Steel Plate 1/64" (0.38mm)

Clearances from Combustible Materials

BACK WALL	SIDE WALL	CORNERS	HEIGHT*
48" (1220mm)	48" (1220mm)	48" (1220mm)	60" (1524mm)

**Height, from stove's cooking surface to the ceiling*

Installation

Before using your stove in the tent, be sure to cure the paint. Burn the stove in a safe open area (such as your driveway or yard) for 2-3 hours to allow the oils and paint from the manufacturing process to cure. Be sure to set up your pipe so that it can cure, also (see pipe connection, below). Begin the fire as a kindling fire and **DO NOT** achieve high temperatures quickly, as the paint needs time to cure slowly.

Once the unit is assembled and in place and the minimum clearances are acquired, it must be coupled to any chimney with a connector (stove pipe). Verify the clearance between your pipe and the surrounding combustibles; if the pipes manufacturer's clearance or local code cannot be obtained (usually a minimum of 18" or 457 mm), you may use an insulated stove pipe or thermal shield.

READ AND FOLLOW THE PIPE MANUFACTURER'S INSTRUCTIONS.

This stove takes 4" diameter stove pipe.

Pipe Connection

Your pipe system should be assembled so that the male section of each pipe is oriented down (male end toward the ground). Attach each of the sections together with three sheet metal screws, placed equidistantly around the pipe. The pipes should be short and straight. Any sections installed horizontally must slope at least $\frac{1}{4}$ " per foot, with the lower section toward the stove.

Your stove pipe should extend **at least** 6" above the ridge of the tent. This reduces the possibility of spark holes being burnt in the roof.

The use of three sheet metal screws on each section of the pipe is particularly important in windy conditions. Be sure to stake down your tent roof and ridge to prevent movement of the tent and roof.

Installation of a 'barometric draft stabilizer' (fireplace register) on the exhaust system is prohibited.

However, installation of a draft damper **is recommended**, in the section of pipe that is closest to the stove body.

A spark arrestor and rain cap on the top section of pipe **is also recommended**.

Be sure to check the spark arrestor daily and clean as necessary, as a clogged spark arrestor can cause smoke to spill out of the stove door or could even cause a fire in the stove pipe.

Follow the pipe manufacturer and the damper manufacturer's instructions when installing the damper in the chimney pipe.

Be sure to have the damper in a fully open position when you start a fire or open the stove's door, to reduce smoke billowing (and your tent and clothes from smelling like smoke). Open the stove door slowly each time you open it.

The more you use the pipe damper to reduce air flow, or use the air control below the door to reduce air flow and/or use soft or moist wood, the more creosote buildup you will experience in the stove pipe and spark arrestor. Be sure to check your stove pipe and the spark arrestor regularly for creosote, and clean as necessary. Dry hardwoods burn the most efficiently and provide the most heat.

Operation

Tip: **DO NOT** store the stove with ashes left in the firebox, or premature rust and degradation of the firebox will occur.

Solid Fuel:

Your stove is designed to burn wood only – no other combustibles (trash or other combustible materials) should be used.

Different wood types produce different energy yields. Be sure that your wood is as dry as possible – many problems related to operating a wood stove are caused by the fact that the wood is too damp.

Some problems from using damp wood include: Ignition or Start-up problems; Creosote buildup and chimney fires; Low energy (i.e., heat) yield; Incomplete combustion of the wood.

Before your first fire:

Be sure to cure your stove and pipe (see installation section)

Never use gasoline, gasoline-type lantern fuel, kerosene, charcoal lighter fluid or similar liquids to start or 'freshen up' a fire in this heater. Keep all such liquids well away from the heater while in use. Additionally, never apply fire-starter to hot embers in the stove. Do not use chemicals or fluids to start the fire. Do not burn flammable fluids such as gasoline, NAPHTHA or engine oil.

Be sure the chimney and flue pipe are well installed according to the pipe manufacturer's directions.

Install vent at clearances specified by the vent manufacturer.

Adhere to all clearances to combustible material, as well as floor protection requirements, mentioned in this manual.

Do NOT store fuel closer than specified clearances to combustibles or within the space needed for loading the stove and ash removal.

This unit was designed for operation only with the loading door closed and tightly latched. Operating this unit with the loading door latched loosely or open will allow excessive combustion air to reach the fire and will result in dangerously high temperatures. High unit temperatures can damage the unit, void the warranty or ignite creosote deposited in the flue system by previous, slow burning fires.

Starting Your Fire

Be sure the air control below the door is fully open, as well as the damper in the stove pipe if you installed one.

Place several sheets of crumpled paper in the center of the firebox, then place approximately 8-10 small pieces of dry kindling over the top of the paper, forming a small 'teepee' shape.

You may also choose solid 'firestarters' to help start your fire. (**Remember, NO** flammable liquids such as lighter fluid or gas may be used!)

To avoid back draft from cold air outside the structure, you should warm the chimney prior to igniting the wood in the firebox. Twist a few sheets of paper into a torch shape, then light it and hold it as close as possible to the entry of the flue, inside the combustion chamber, to warm the chimney. **USE CAUTION** so that you do not burn yourself. Once an updraft into the flue is initiated, you may light your stove by lighting the paper and kindling teepee that is inside the firebox.

Leave the stove door slightly opened for 5-10 minutes, or until good combustion is achieved. **DO NOT** leave the fire while the door is opened. At this time, you may close the door and progressively adjust the air control to achieve the preferred intensity of the fire.

Once you have a bed of embers, reload the unit with larger wood. For safety and best performance, you should keep your wood load no higher than 6 inches.

Use the air control underneath the stove door to regulate the intake air for your fire. We recommend installing a magnetic thermometer on your stove pipe, approximately 18" (46cm) above the stove's surface. The ideal temperature of the flue pipe is between 250° F and 500° F (121°C - 260°C). Below this range can encourage creosote buildup, and above this range can waste heat and potentially lead to over-firing.

Cooking

One of the excellent functions of this camp stove is for cooking, and the offset flue enables as much cooking space as possible.

Remember that the top of the stove will get very **HOT**. Use a pan for cooking food on the top of your stove.

Do not cook food directly on the stove top.

Maintenance

Ash Removal

Inspect the firebox daily for ash accumulation.

Ashes should be placed in a metal container with a tight-fitting lid. The closed container of ashes should be placed on a noncombustible floor or the ground, well away from all combustible materials, pending final disposal. If the ashes are disposed of by burial in soil or otherwise locally dispersed, they should be retained in the closed container until all cinders have been thoroughly cooled.

Caution

Keep a fire extinguisher handy at all times, including during ash clean up.

Remember to store the stove with ashes cleaned from the firebox, or premature rust and degradation of the firebox will occur.

A small open container of a desiccant (i.e., cat litter) in the stove can help prevent corrosion when the stove is not being used; be certain to remove it before transporting the stove or building a fire.

Pipe

Inspect the flue system to be sure it is properly intact. Inspect the pipe and spark arrestor, rain cap, etc., for creosote buildup, and clean if necessary.

Door and Gasket

Check the door handle for proper operation and to be certain a tight seal is being made by the door.

Your stove has a fiberglass gasket installed around the door opening. Check this to be sure it is fully intact and is in good condition. If the gasket needs to be replaced, you may purchase replacement gasket from Buck Stove.

Other

Visually inspect any other parts (including shelves, legs, collar assembly) for proper function.

Finish

This new unit has been painted at the factory with a high-temperature paint that should retain its original look for a long time. If rust spots appear, the spots can be sanded with fine steel wool and repainted. It is crucial that you use only high-temperature spray paint, as others may not adhere to the surface or withstand the high temperatures.

Replacement Parts

Note: For replacement parts use only manufacturer's specified parts.

Description	Quantity	Part No.
1. Black Door (Optional Part No Logo Cut In It)	1	PS CSBBLB001
2. Buck Logo Door	1	PS CSBBLB002
4. Door Handle Assembly	1	PA 910096
5. Wood Handle	1	PO 916212WDH
6. Black Shelves (Depending What Unit You Have)	2	PS CSBBLB008 (Big Buck) PS CSBBLB009 (Little Buck)
7. Thumb Screw (4 per shelf)	8	PH 142038PHP
6. 1/2" Door Gasket	36"	RP 11612FBGP
7. Hinges (2 needed)	2	PS CSBBLB004
9. 4" Pipe Collar Assembly	1	MA CSBBLBCOLLAR
10. Black Legs	4	MF RDFP30G30
11. Thumb screws (2 per leg)	8	PH 142038PHP
11. Black Spray Paint (12 oz.)	1	RP 100630

NEW BUCK CORPORATION (NBC)
"LIMITED WARRANTY" FOR THE BUCK STOVE
PLEASE READ THIS WARRANTY CAREFULLY

PRODUCTS COVERED

This warranty covers the New Buck Stove heating unit, so long as it is owned by the original purchaser, including optional and standard parts purchased at the same time, subject to terms, limitations and conditions herein set out.

PRODUCTS NOT COVERED

This warranty does not cover the following:

Glass, Refractory Material, Firebrick or Gaskets.

This Warranty will not cover any damage and/or failure caused by abuse or improper installation of the products covered.

WARRANTY TIME PERIODS

Period I

For one year from the date of purchase, NBC will replace or repair, at its option, any part defective in materials or workmanship. The costs of parts only are included. The customer pays any labor or transportation charges required.

Period II

Thereafter, for period after first year from date of purchase and extending for five years as long as Buck Stove is owned by the original purchaser, NBC will repair or replace, at its option, any part defective in materials or workmanship, with the exception of, electrical motors, wiring, switches, components, optional and standard accessories; and all parts not permanently attached to heating unit. Parts not permanently attached to heating unit are defined as those items designed to be removed from stove, including those removable with common hand tools. The costs of parts only are included. The customer pays any labor or transportation charges required.

PROCEDURE

Should you feel that your BUCK STOVE is defective, you should contact any Buck Stove dealer for the name of your nearest authorized Buck Stove service representative, who will instruct you on the proper procedure, depending on which Warranty Time Period (Period I or Period II) applies.

Time Period (Period I or Period II) applies. If for any reason you are dissatisfied with suggested procedures, you may contact us in writing at:

New Buck Corporation
Customer Service Department
P. O. Box 69
Spruce Pine, NC 28777
Email: info@buckstove.com

CONDITIONS AND EXCLUSIONS

- (A) Replacement of parts may be in the form of new or fully reconditioned parts, at NBC's option.
- (B) There is no other express warranty. All implied warranties of merchantability and fitness for use are limited to the duration of the Express Warranty.
- (C) New Buck Corporation is not liable for indirect, incidental or consequential damages in connection with use of product including any cost or expense of providing substitute equipment or service during periods of malfunction or non-use. Some states do not allow the exclusion of incidental or consequential damages, so above exclusion may not apply to you.
- (D) All warranty repairs under this warranty must be performed by an authorized Buck Stove service representative. Repairs or attempted repairs by anyone other than an authorized service representative are not covered under this warranty. In addition, these unauthorized repairs may result in additional malfunctions, the correction of which is not covered by warranty.

OTHER RIGHTS

This warranty gives you specific legal rights, and you may also have other rights, which vary from state to state.

Page Intentionally Left Blank

Owner Registration

Name _____

Address _____

City _____ State _____ Zip _____

Customer Email _____

Serial # _____ Purchase Date _____

Model# _____