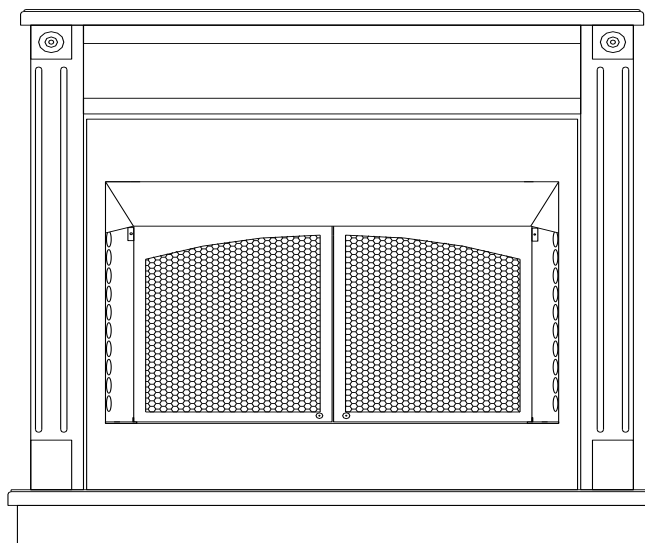


**BUCK STOVE MODEL ZCBB VENTLESS
FIREBOX ENCLOSURE FOR GAS-FIRED
DECORATIVE TYPE UNVENTED ROOM HEATERS
FOR USE WITH OPTIONAL WOODEN FLUSH MOUNT
MANTEL (FF) AND OPTIONAL WOODEN SURROUND (WS)**



(UNIVERSAL BOX)

FOR USE ONLY WITH A LISTED GAS-FIRED UNVENTED DECORATIVE ROOM HEATER NOT TO EXCEED 40,000 BTU/H. DO NOT BUILD A WOOD FIRE

Carefully review instructions supplied with decorative type unvented room heater for minimum fireplace size requirement.

DO NOT INSTALL AN APPLIANCE IN THIS FIREBOX UNLESS THIS FIREBOX MEETS MINIMUM DIMENSIONS REQUIRED FOR INSTALLATION

WARNING: If the information in this manual is not followed exactly, a fire or explosion may result causing property damage, personal injury or loss of life.

**INSTALLER: Leave this manual with appliance.
CONSUMER: Retain this manual for future reference.**

**MANUFACTURED BY NEW BUCK
CORPORATION
200 ETHAN ALLEN DRIVE, PO BOX 69
SPRUCE PINE, N.C. 28777**

www.buckstove.com

P1ZCBB661

Revised November 2018

TABLE OF CONTENTS

Safety Information and Warnings.....	3
Installation.....	5
Firebox and Framing Dimensions (ZC) (FF).....	6
Firebox Clearances (ZC) (FF).....	7
Finishing Your Firebox.....	8
Mantel Profiles For Zero Clearance.....	9
Optional Wooden Flush Mount Mantel Front (FF)	10
Optional Wooden Surround (WS)	11
Producing Adequate Ventilation.....	13
Air For Combustion and Ventilation from Inside Building.....	15
Air For Combustion and Ventilation from Outdoors.....	16
Optional Blower Installation.....	17
Wiring Diagram	18
Replacement Parts.....	19
Warranty	20
Owner Registration	21

SAFETY INFORMATION WARNINGS

IMPORTANT: READ THIS OWNER'S MANUAL CAREFULLY AND COMPLETELY BEFORE TRYING TO ASSEMBLE, INSTALL, OPERATE OR SERVICE THIS APPLIANCE (FIREBOX ENCLOSURE).

Early signs of carbon monoxide poisoning resemble flu, with headaches, dizziness and/or nausea. If you have these signs, heater may not be working properly. Get fresh air at once! Have heater serviced.

Some people-pregnant women, persons with heart or lung disease, anemia, those under influence of alcohol and those at high altitudes are more affected by carbon monoxide than others.

CAUTION: Strong drafts, such as a ceiling fan placed directly in front of heater (pulling from either direction) may create sooting. Sooting will discolor walls.

1. **The installation must conform with local codes or in absence of local codes, with *National Fuel Gas Code, ANSI Z223.1/NFPA54.***
2. **This appliance may be installed in an After-Market* Manufactured Home, where not prohibited by state or local codes.**
* (After-Market: Completion of sale, not for purpose of resale from manufacturer.)
3. This heater shall not be installed in a confined space or unusually tight construction unless provisions are provided for adequate combustion and ventilation air. See Page 12, for *Producing Adequate Ventilation.*
4. Any safety screen or guard removed for servicing an appliance must be replaced prior to operating heater. This appliance (vent less firebox enclosure) is manufactured with fireplace screens and you must close any fireplace screens before operation of decorative type unvented room heater.
5. Do not use this heater for burning trash or cooking. Never place matches, paper, garbage or any other material on top of logs or into flames.
6. **WARNING:** Do not use a blower insert, heat exchanger insert or other accessory not approved for use with this heater.
7. Fireplace canopy must not be modified or replaced with a canopy that may be provided with unvented decorative room heater.
8. This universal box has been tested, listed and certified to ANSI Z21. 91-2017 Vent less Firebox Enclosures for Gas-Fired Unvented Decorative Room Heaters.





WARNING

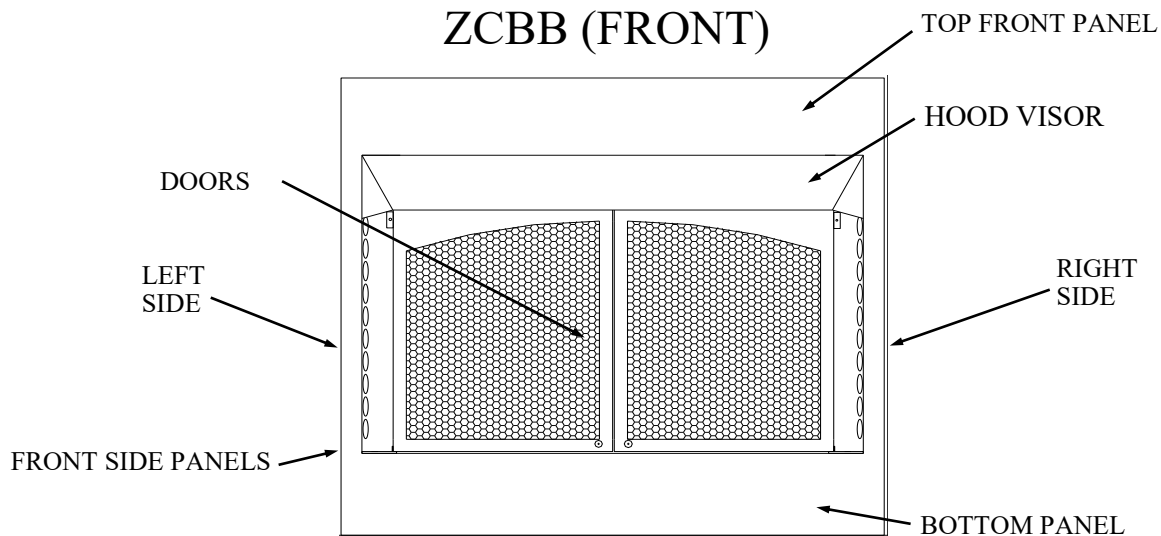
DO NOT USE A BLOWER INSERT, HEAT EXCHANGER INSERT OR OTHER ACCESSORY NOT APPROVED FOR USE WITH THIS HEATER.



WARNING

THIS HEATER SHALL NOT BE INSTALLED IN UNUSUALLY TIGHT CONSTRUCTION SPACE UNLESS PROVISIONS ARE MADE FOR ADEQUATE COMBUSTION AND VENTILATION AIR. See Page 10, for *“Producing Adequate Ventilation.”*

NOTE: THIS IS A VENTLESS FIREBOX ENCLOSURE (UNIVERSAL) FOR GAS FIRED DECORATIVE TYPE UNVENTED ROOM HEATERS. IT WILL ACCEPT ANY GAS LOGS UP TO 40,000 BTU'S AS LONG AS LOGS WILL FIT. YOU MUST MEET MINIMUM CLEARANCES SPECIFIED IN INSTRUCTION MANUAL. FAILURE TO FOLLOW INSTALLATION INSTRUCTIONS WILL VOID WARRANTY.



INSTALLATION

Your New Buck Ventless Firebox Enclosure may be installed in Residential or *After-Market Manufactured Homes. This appliance may be installed in an *After Market Manufactured Home, **where not prohibited by state or local codes.**

* (After Market: Completion of sale, not for purpose of resale from manufacturer).

NOTE: See page 13, for “Producing Adequate Ventilation”.

CHOOSING LOCATION FOR YOUR FIREBOX

Figure 1 shows some of many ways your firebox may be installed. Consider traffic pattern in your room and location of doors and windows. Moving air from ceiling fans, open doors and hot air grills may cause flames to impinge logs resulting in sooting. If a disturbance is found that affects flames, it must be eliminated by turning off ceiling fan, closing door or closing hot air register. A corner location may be best where space is limited.

Your Ventless Firebox Enclosure weighs no more than some of your fine furniture. If firebox is located near a load bearing wall, additional supports to foundation will not be necessary. **HEAVY FACINGS, SUCH AS BRICK, STONE, ETC., MAY REQUIRE ADDITIONAL FOUNDATION SUPPORT.**

NOTE: WHEN FIREBOX IS INSTALLED DIRECTLY ON CARPETING, TILE OR OTHER COMBUSTIBLE MATERIALS, OTHER THAN WOOD FLOORING, FIREBOX SHALL BE INSTALLED ON A METAL OR WOOD PANEL EXTENDING FULL WIDTH AND DEPTH OF ENCLOSURE.

GAS LINE

The gas supply line and electrical supply must be installed before framing in fireplace. This appliance when installed, must be electrically grounded in accordance with local codes or in absence of local codes, with *National Electrical Code, ANSI \ NFPA 70.*

DRAFTS

Do not locate fireplace in high traffic areas or areas exposed to high drafts and winds. Locate fireplace away from furniture and draperies.

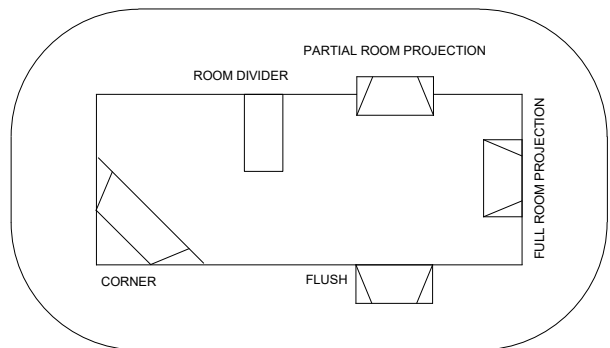
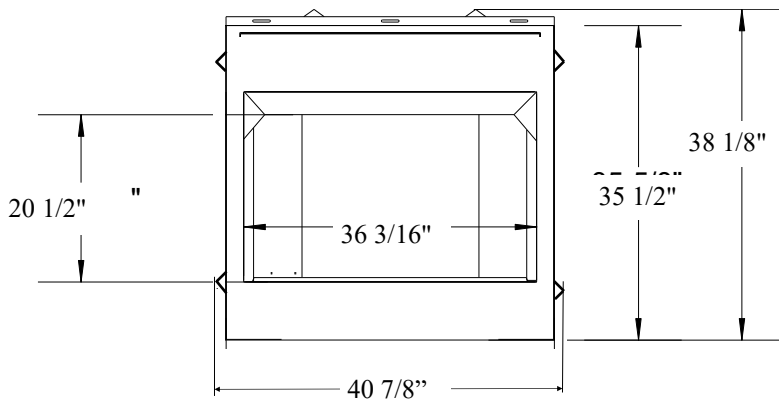


Figure 1

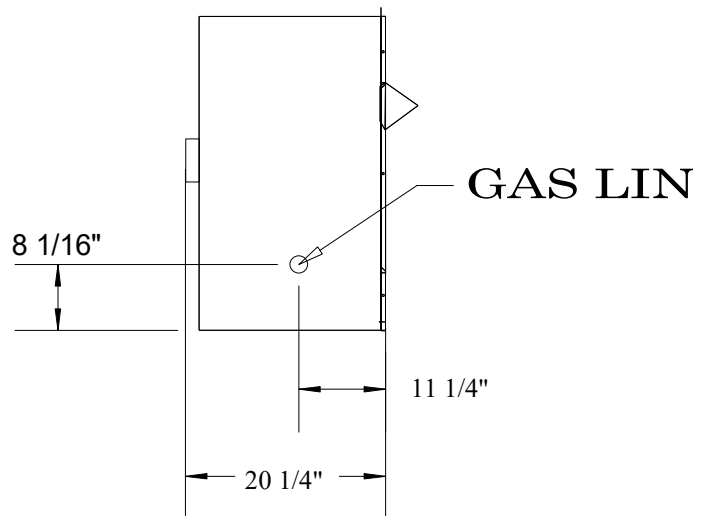
FIREBOX AND FRAMING DIMENSIONS (ZC) & (FF)

NOTE: SEE PAGE 10 IF AN OPTIONAL WOODEN FLUSH MOUNT MANTEL FRONT (FF) IS TO BE USED.



WARNING: NOTCHING OF FRAMING AROUND THE STANDOFFS (SPACERS) OR ALTERATION OF THE STANDOFFS CAN CAUSE A FIRE OR MAY RESULT IN PROPERTY DAMAGE, PERSONAL INJURY OR LOSS OF LIFE.

NOTE: YOUR NEW BUCK CORPORATION VENTLESS FIREBOX ENCLOSURE IS EQUIPPED WITH A FACTORY INSTALLED CANOPY. IT MAY NOT BE REPLACED WITH ANY OTHER MANUFACTURERS CANOPY.



WARNING: INSULATION OR OTHER MATERIALS MUST NOT BE PLACED AROUND OR NEAR THE FIREBOX. FILLING THE SPACES AROUND THE FIREBOX CAN CAUSE A FIRE OR RESULT IN PROPERTY DAMAGE, PERSONAL INJURY OR LOSS OF LIFE .

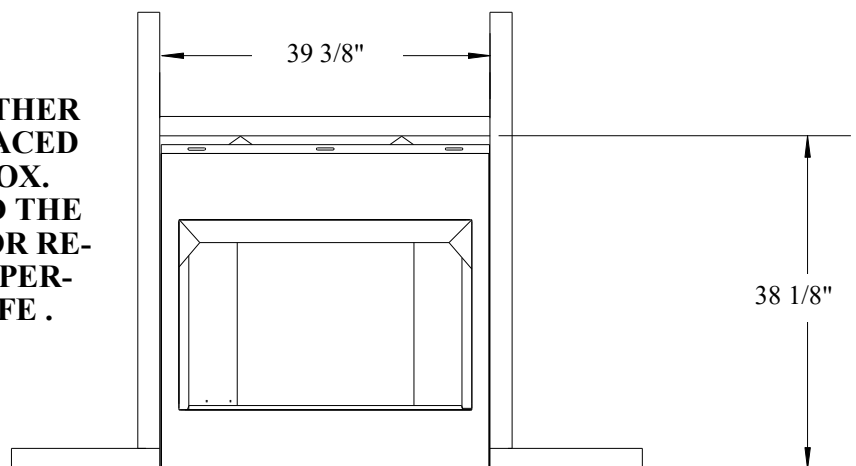


Figure 2

FIREBOX CLEARANCES

Firebox may be placed directly on a combustible floor, against a combustible wall at marked clearances or on a raised wooden platform. If firebox is to be installed on a raised wooden platform, platform must be a continuous level surface. The firebox must be secured in place so it cannot shift positions. Only header (see Figure 3) may rest on standoffs on top of firebox. When firebox is installed over carpeting, vinyl tile or any combustible material other than wood flooring, it must be installed on a metal or wood panel extending its full width and depth. Alternatives, carpeting, vinyl tile, etc. may be removed beneath firebox before installing.

COMBUSTIBLE MATERIALS MUST NOT BE INSTALLED OVER OR TOUCH ANY BLACK PAINTED SURFACE. DO NOT BLOCK HEAT CIRCULATING AIR OUTLETS. DOING SO MAY RESULT IN POTENTIAL FIRE HAZARDS

1. **Sidewall Clearances:** Clearances from side of firebox opening to any adjacent combustible wall should not be less than 7".
2. **Ceiling Clearances:** The ceiling height should not be less than 42" from top of firebox opening

INSTALLING FIREBOX

This list of specific instructions will help you make certain that every installation operation is performed correctly. Complete installation steps in sequence shown.

LOCAL BUILDING CODES SHOULD BE CONSULTED IN ALL CASES AS TO PARTICULAR REQUIREMENTS CONCERNING INSTALLATION OF FACTORY BUILT FIREBOXES. Select location for firebox by taking into consideration factors previously outlined in the "Choosing Location." See page 5.

Framing Firebox

The width of framed opening must be $40 \frac{7}{8}$ ". The height of framed opening must be $38 \frac{1}{8}$ ". The entire firebox can be elevated above floor to achieve a raised hearth effect. This can be done by adding a small platform to achieve desired height.

NOTE: The wiring for optional blower must be installed during framing stage.

When framing is inside home, outside wall will be insulated. If framing or chase is outside, a thin insulation should be used in framing on back, sides and top. The bottom should be insulated with a hard insulating board. This will prevent cold from going into chase through firebox to living space.

Install Firebox

Install firebox into framed opening by placing it directly in front of opening and sliding it into proper position.

Level Firebox

Check the level of firebox on top edge of firebox face.

Secure Firebox

Secure firebox to framing. The nailing flange on firebox will make securing firebox to frame quick and easy. Use appropriate size nails or screws to secure firebox.

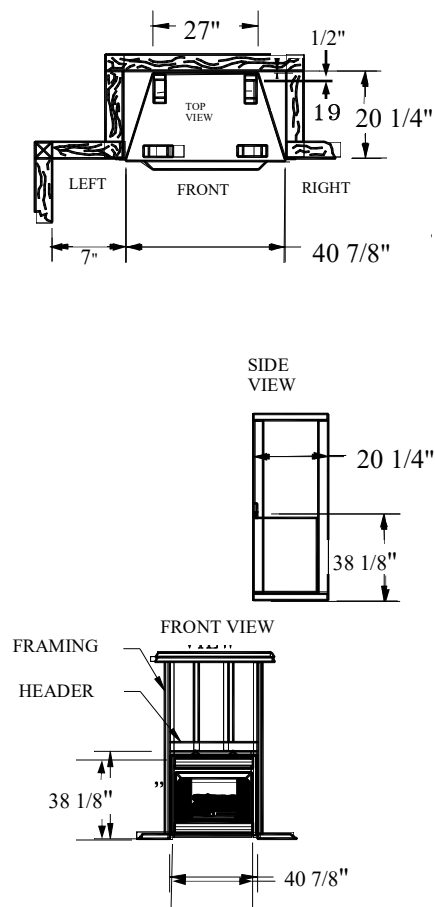


Figure 3

FINISHING YOUR FIREBOX

There is a wide variety of finishing material available for your firebox from formal wall treatments with marble and mantels, to rustic wood paneling, stone or brick.

IT IS IMPORTANT THAT THE BLACK FACE OF FIREBOX NOT BE COVERED WITH ANY TYPE OF COMBUSTIBLE MATERIAL.

Non-combustible facing materials such as marble, brick or ceramic tile may overlap black face of firebox. Seal all joints between black firebox face and wall covering with a heat-resistant material such as rock wool insulation or mortar. Be sure to use high temperature adhesive or mortar when anchoring brick, stone or tile to face of firebox. Check to see whether man-made brick and stone are made of non-combustible

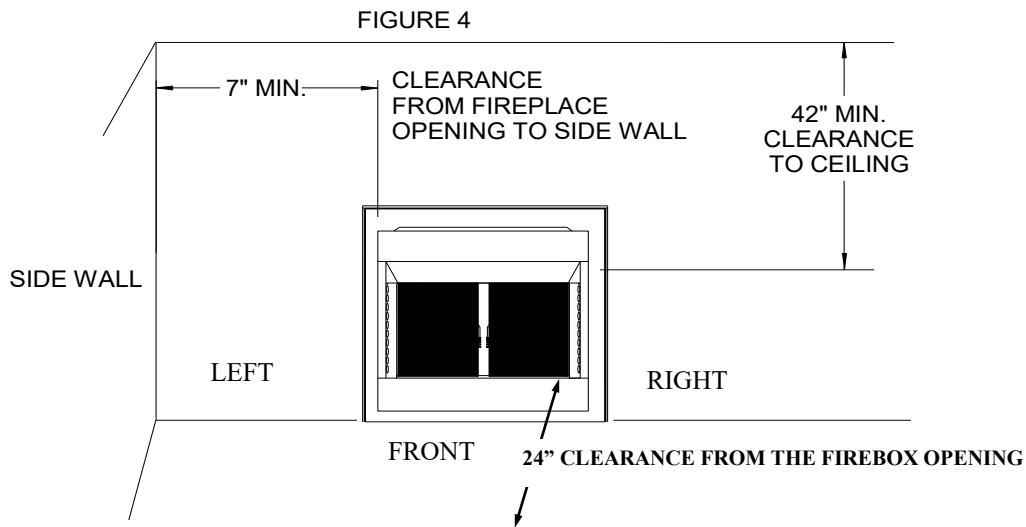
materials before using them on face of firebox. Some of these products contain combustible materials. Combustible wall coverings such as paneling or wallboard may **not** overlap black face of firebox. The space between wall covering and firebox should be sealed with a heat resistant material such as rock wool insulation or mortar.

NOTE: An "L" shaped steel lintel must be installed across top of firebox opening where facing materials such as brick or stone is used on face of firebox. It acts as a support/firestop. It should be attached to face of firebox with screws and sealed to firebox with a heat-resistant sealer.

CLEARANCES

To ensure a safe installation, the following must be carefully observed.

1. **Sidewall Clearances:** Clearances from side of firebox opening to any adjacent combustible wall should not be less than 7". See Figure 4
2. **Ceiling Clearances:** The ceiling height should not be less than 42" from top of firebox opening.
3. **Mantel Clearances:** See Figure 5. Non-combustible materials used in this installation such as slate, tile, marble, etc. must be at least 1/2" thick.
4. **Floor Clearances:** No clearance is required if appliance is installed per these instructions.



**MANTEL PROFILES FOR VENTLESS FIREBOX ENCLOSURE
(UNIVERSAL BOX) ZERO CLEARANCE CABINET MUST BE
FOLLOWED**

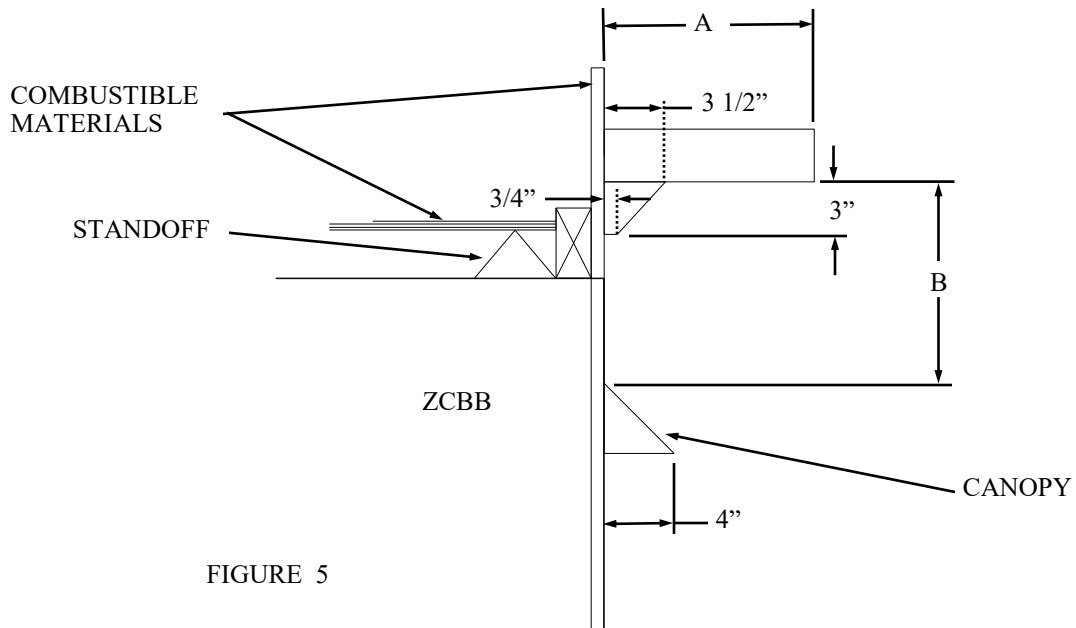


FIGURE 5

MANTEL CLEARANCES	
MANTEL WIDTH ("A" inches)	MANTEL HEIGHT ("B" inches above firebox opening)
6.0	14.0
8.0	14.0
10.0	14.0
12.0	16.0

INSTALLATION INSTRUCTIONS FOR MODEL ZCBB OPTIONAL WOODEN FLUSH MOUNT MANTEL FRONT (FF) (KIT#PAKDMZCBBFF)

NOTE: Follow framing instructions on pages 6 & 7. With the exception of placement of ZCBB in framed opening. The ZCBB must be placed with the front surface of appliance 1-9/16" out from finished wall. This will allow FF to sit flush with front of ZCBB.

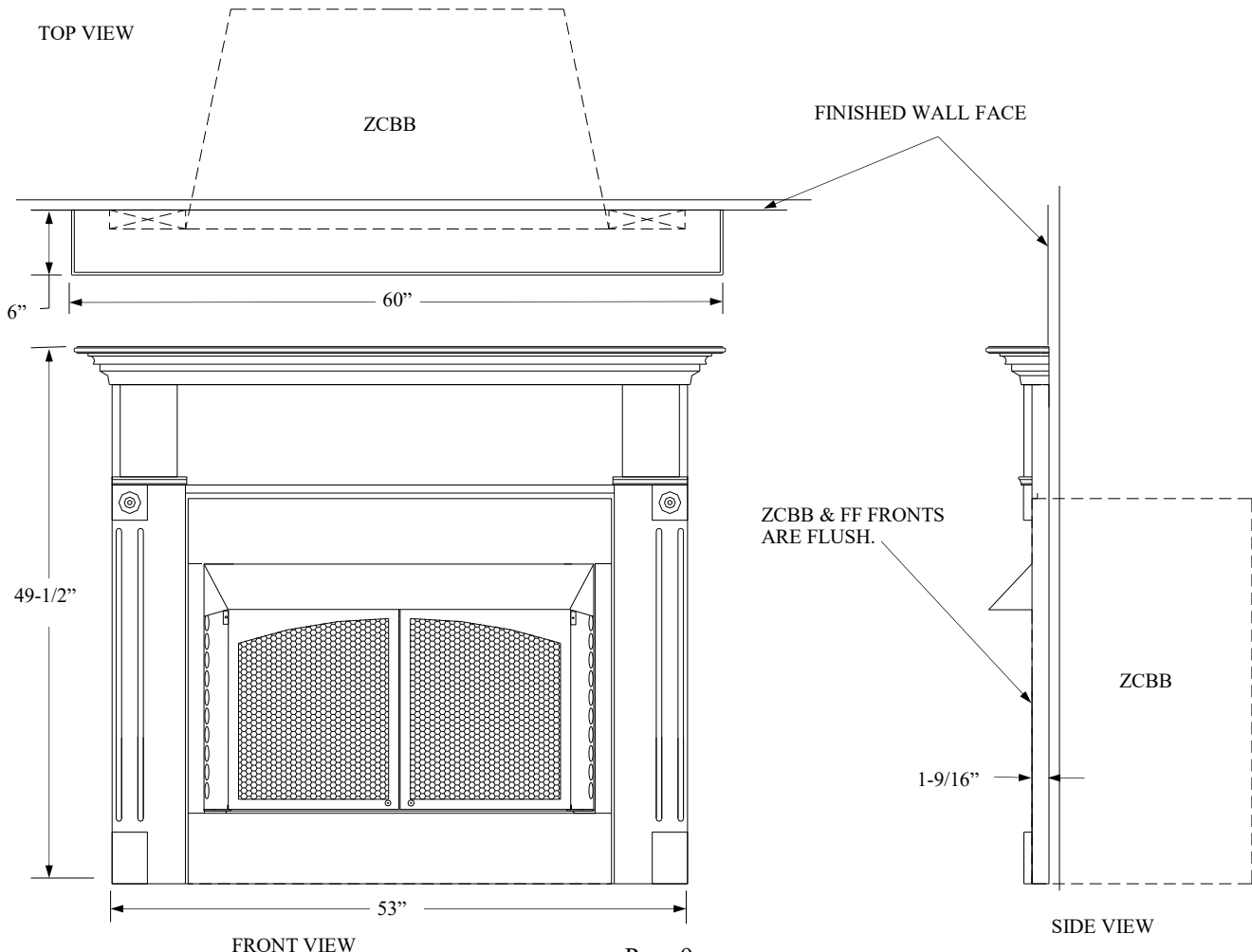
CLEARANCES:

1. **Sidewall Clearances:** Clearances from side of firebox opening to any adjacent combustible wall should not be less than 7". (See page 8, figure 4)
2. **Ceiling Clearances:** Ceiling height should not be less than 42" from top of firebox opening.

INSTALLATION INSTRUCTIONS:

1. After removing the FF kit from its packaging follow any pre-installation instructions provided with kit.
2. Place FF over front of ZCBB, centering opening in FF left to right with ZCBB front.
3. Next you must secure FF to finished wall surface. You may use "L" brackets, screws or finishing nails (not provided with FF).

NOTE: If an unfinished FF kit is used, do not operate appliance while finishing wood or before finish has dried properly.



INSTALLATION INSTRUCTIONS FOR MODEL ZCBB OPTIONAL WOODEN SURROUND (WS) (KIT# PAKDMZCBB)

CLEARANCES:

1. **Sidewall Clearances:** Clearances from side of firebox opening to any adjacent combustible wall should not be less than 7". See Figure 4
2. **Ceiling Clearances:** Ceiling height should not be less than 42" from top of firebox opening.

ASSEMBLY INSTRUCTIONS:

Tools Needed: Medium Phillips Screwdriver

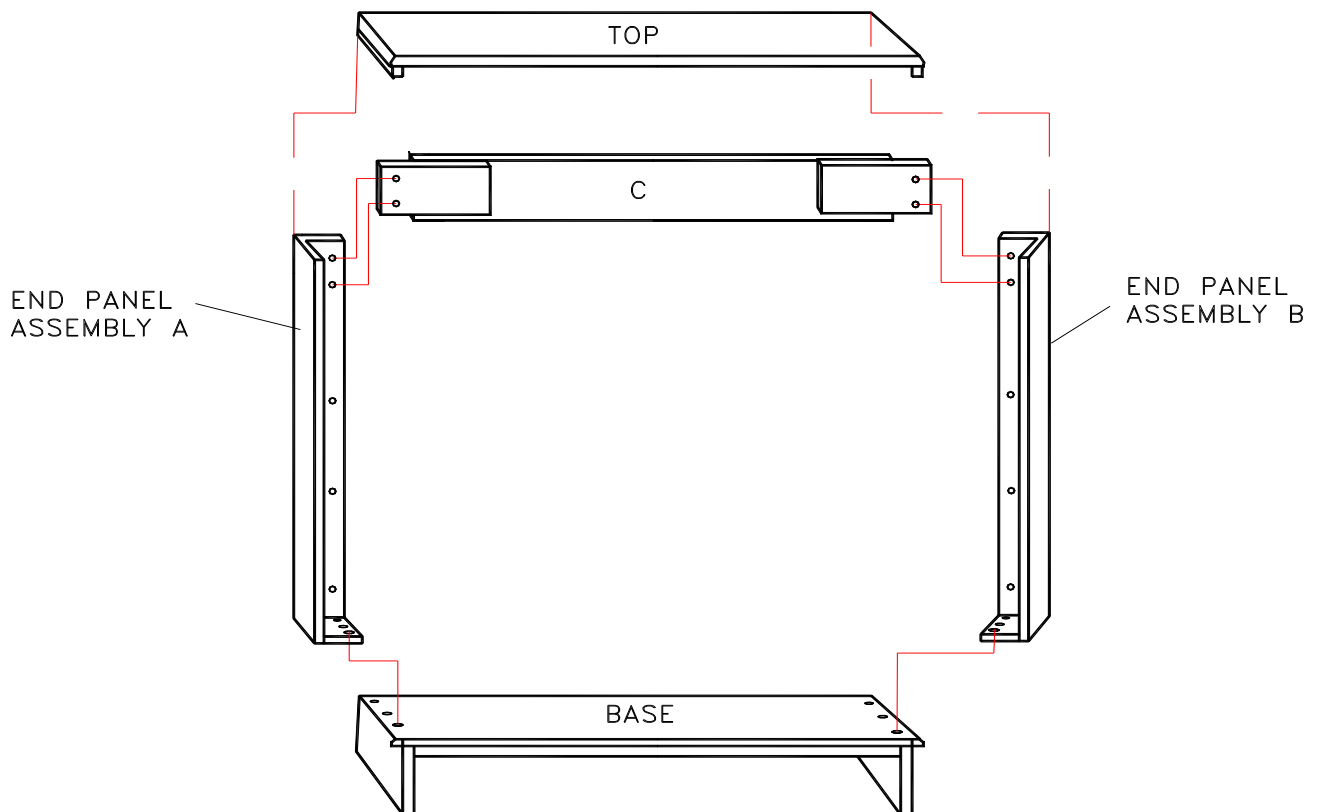
Step 1: Lay out all components. (See diagram 1)

Step 2: Assemble end panels (A & B) to top front rail (C).

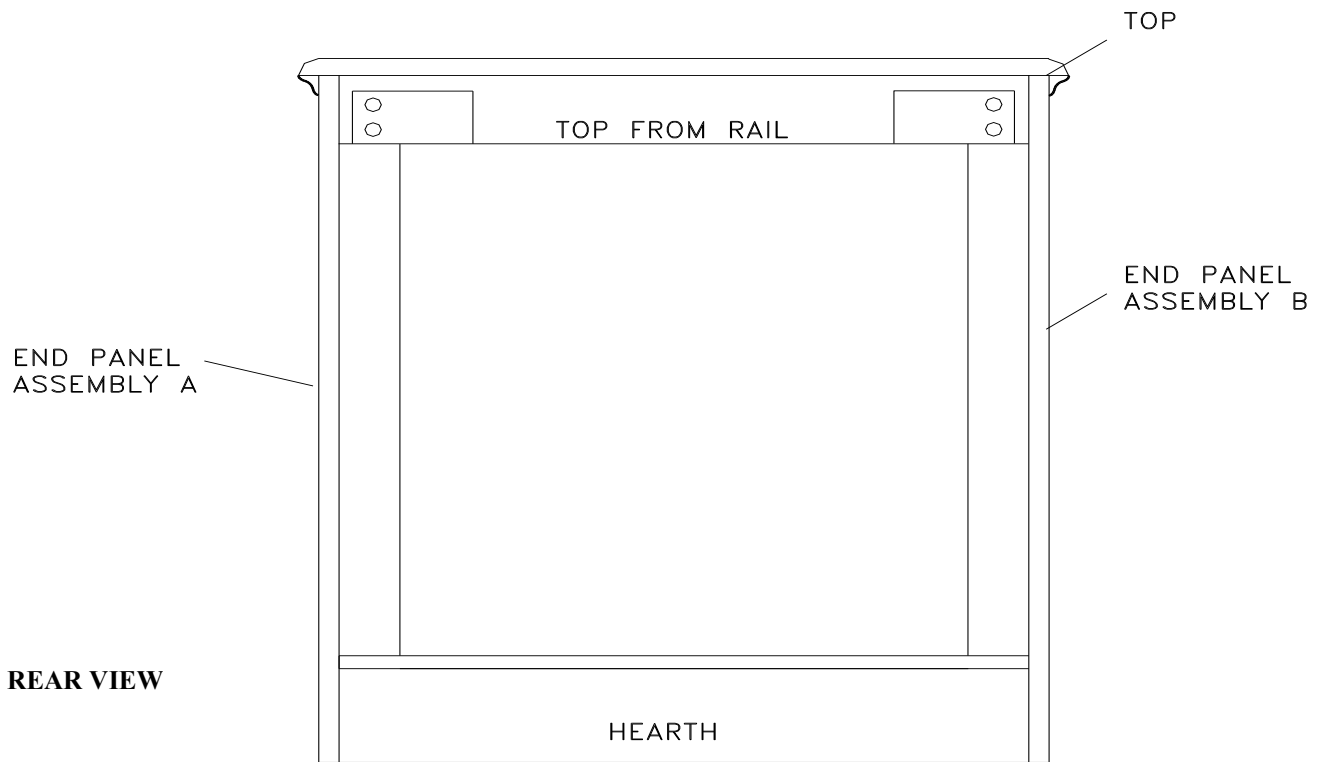
Step 3: Stand end panels and top front rail onto base (hearth) and fasten down with screws provided (See diagram 1).

NOTE: Position back of end panels with back of base (hearth), centering assembly from each end. Install front screws first, then pull back towards inside to square surround up. Install screws through back holes.

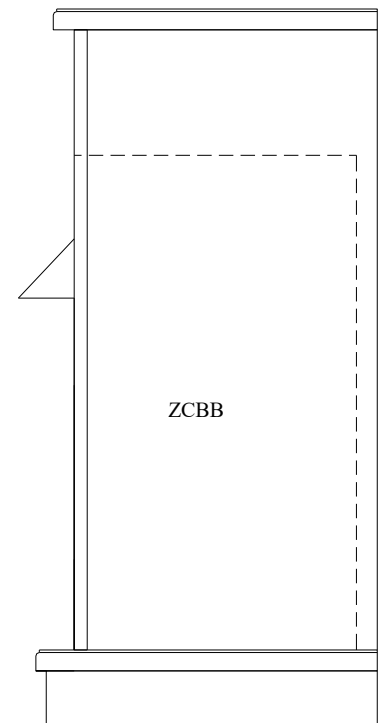
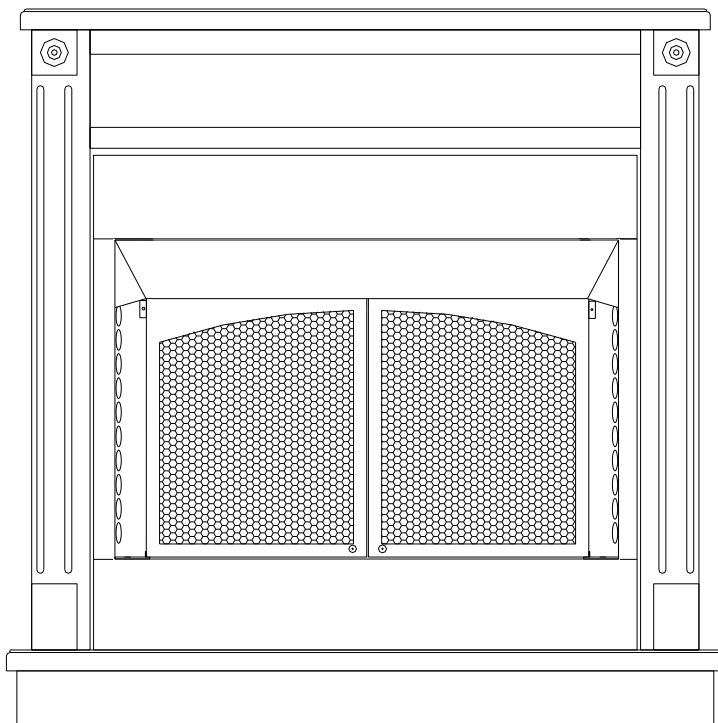
Step 4: Place top onto surround, flush with back and equal on each end. Secure both ends and middle with screws provided.



CONTINUED →



After assembling the WS you must insert the ZCBB. It is best to insert ZCBB from rear of WS, this gives you more area to hold ZCBB and reduces risk of scratching surface of the base (hearth) area. Flush and center ZCBB's front in the WS.
 You can attach ZCBB to WS with "L" brackets at rear sides of ZCBB (brackets not provided).



PRODUCING ADEQUATE VENTILATION

NOTICE: Information on provisions for adequate combustion and ventilation air are located in *unvented room heaters installation* instructions. The unvented room heaters instructions must be followed exactly.

This section is used for residential installation or after market manufactured home installation.

UNCONFINED SPACE:

An unconfined space has a minimum air volume of 50 cubic feet for each 1,000 BTU/Hr (4.8m³ per Kw) input rating of all appliances in space (Cubic feet equals Length x Width x Height of space). Include adjoining rooms only if there are doorless passageways or ventilation grills between rooms.

CONFINED SPACE:

The National Fuel Gas Code defines unusually tight construction space as a space whose volume is less than 50 cubic feet per 1,000 BTU per hour (4.8m³ per KW) of the aggregate input rating of all appliances installed in that space.

WARNING: If the area in which heater may be operated is smaller than that defined as an unconfined space, provide adequate combustion and ventilation air by one of methods described in National Fuel Gas Code, ANSI Z223.1, 1992, Section 5.3

DETERMINING FRESH-AIR FLOW FOR HEATER LOCATION

DETERMINE IF YOU HAVE UNUSUALLY TIGHT CONSTRUCTION OR UNCONFINED SPACE

Use this worksheet to determine if you have a confined or unconfined space.

SPACE: Include room in which you will install heater plus adjoining rooms with doorless passageways or ventilation grills between rooms.

1. Determine the volume of space (length x width x height).
Length x Width x Height = _____ cu.ft. (volume of space)
EXAMPLE: 20 ft. (length) x 16 ft. (width) x 8 ft. (ceiling height) =
2560 cu. ft. (volume of space)

If additional ventilation to adjoining room is supplied with grills or openings, add volume of these rooms to total volume of space.

2. Divide the space volume by 50 cubic feet to determine maximum BTU/Hr space can support.
$$\frac{\text{(volume of space)}}{50 \text{ cu. ft.}} = \text{(maximum BTU/Hr space can support)}$$
EXAMPLE: 2560 cu. ft. (volume of space) / 50 cu. ft. = 51.2 or
51200 (maximum BTU/Hr space can support.)

3. Add the BTU/Hr of all fuel burning appliances in space.
- | | | |
|----------------------|---|---------------|
| Vent-Free Heater | | _____ BTU/Hr. |
| Gas Water Heater* | | _____ BTU/Hr. |
| Gas Furnace | | _____ BTU/Hr. |
| Vented Gas Heater | | _____ BTU/Hr. |
| Gas Fireplace Logs | | _____ BTU/Hr. |
| Other Gas Appliance* | + | _____ BTU/Hr. |
| Total | = | _____ BTU/Hr. |

Example:

Gas water heater		40000 BTU/Hr.
Vent-free heater	+	18000 BTU/Hr.
Total	=	58000 BTU/Hr.

* Does not include direct-vent gas appliances. Direct-vent draws combustion air from outdoors and vents to outdoors.

4. Compare the maximum BTU/Hr space can support with actual amount of BTU/Hr used.

		_____		BTU/Hr (maximum space can support)
		_____		BTU/Hr (actual amount of BTU/Hr used)
Example:		51200 BTU/Hr		(maximum space can support)
		58000 BTU/Hr		(actual amount of BTU/Hr used)

Space in above example is a confined space because actual BTU/Hr used is more than maximum BTU/Hr the space can support. Additional fresh air must be provided. The following options are available.

- A. Rework worksheet, adding space of an adjoining room. If extra space provides an unconfined space, remove door to adjoining room or add ventilation grills between rooms. See “Ventilation Air From Inside Building”, page 15.
- B. Vent room directly to outdoors. See “Ventilation Air From Outdoors” page 16.
- C. Install a lower BTU/Hr heater, if lower BTU/Hr size makes room unconfined.

If actual BTU/Hr used is less than maximum BTU/Hr space can support, space is unconfined. You will need no additional fresh air ventilation.

WARNING

	YOU MUST PROVIDE ADDITIONAL VENTILATION AIR IN UNUSUALLY TIGHT CONSTRUCTION.
---	---

AIR FOR COMBUSTION AND VENTILATION FROM INSIDE BUILDING

This fresh air would come from an adjoining unconfined space. When venting to an adjoining space, you must provide two permanent openings: one within 12" of ceiling and one within 12" of floor, on wall connecting two spaces (see Options 1 and 2, Figure 6). You can also remove door into adjoining room (see Option 3, Figure 6).



WARNING

REWORK WORKSHEET, ADDING SPACE OF ADJOINING UNCONFINED SPACE. COMBINED SPACES MUST HAVE ADEQUATE AMOUNT AIR TO SUPPLY ALL APPLIANCES IN BOTH SPACES.

NOTE: Each opening shall have a minimum free area of 1 square inch per 1000 BTU's per hour of total input ratings of all gas utilization equipment in confined space, but not less than 100 square inches.

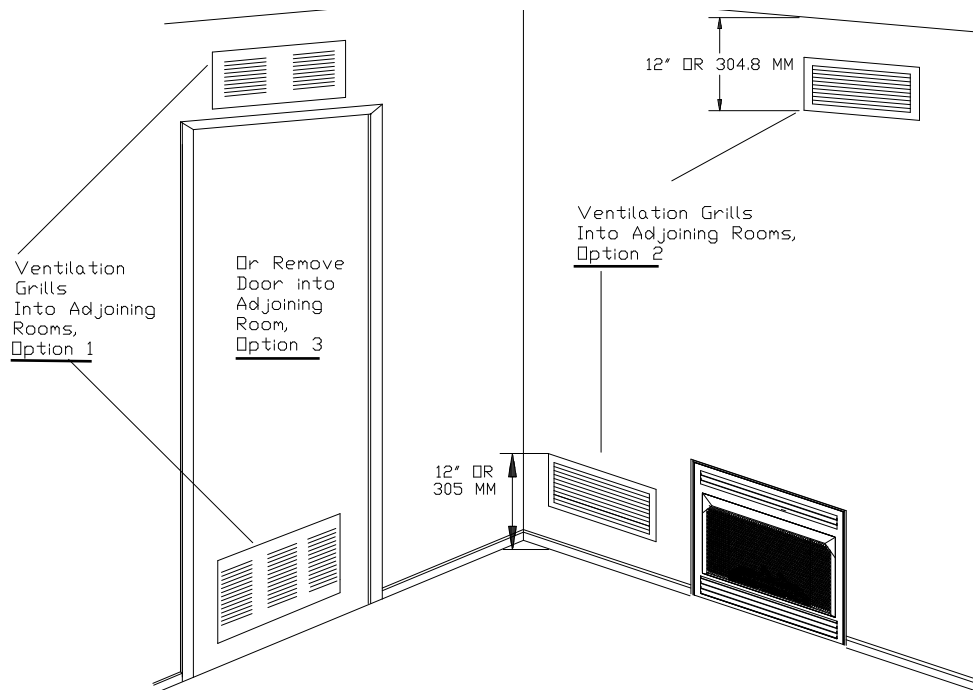


Figure 6
Ventilation Air From Inside Building

WARNING

THIS HEATER MUST HAVE ADEQUATE AMOUNT OF AIR FOR PROPER OPERATION. IF NOT, POOR FUEL COMBUSTION COULD RESULT. READ THE FOLLOWING INSTRUCTIONS TO ENSURE PROPER AMOUNT OF AIR FOR THIS AND OTHER FUEL-BURNING APPLIANCES IN YOUR HOME.

AIR FOR COMBUSTION AND VENTILATION FROM OUTDOORS

Provide extra fresh air by using ventilation grills or ducts. You must provide two permanent openings: one within 12" of ceiling and one within 12" of floor. Connect these items directly to outdoors. These spaces include attics and crawl spaces. Follow National Fuel Gas Code **NFPA 54/ANSI Z223.1**, Section 4.3, "Air For Combustion and Ventilation" for required size of ventilation grills or ducts.

IMPORTANT: Do not provide openings for inlet air into attic if attic has a thermostat-controlled power vent. Heated air entering attic will activate power unit.

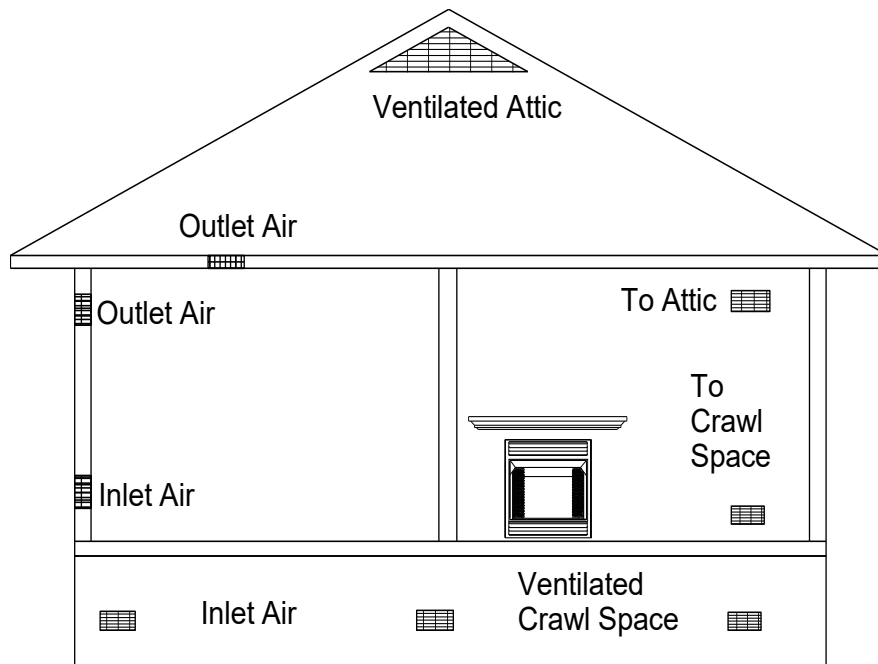


Figure 7 Ventilation Air From Outdoors

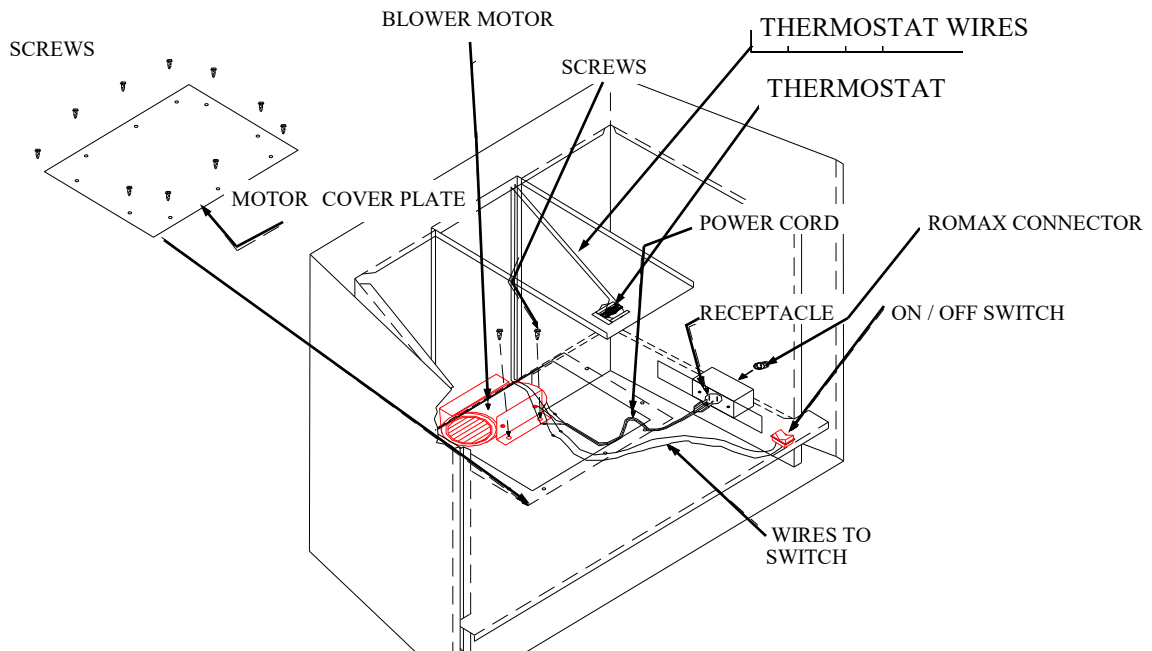
OPTIONAL BLOWER INSTALLATION

Model ZCBB has an optional MA ZCBB714 blower kit that can be purchased from your dealer. You will need to follow these steps and diagram below and wiring diagram on page 18.

NOTE: The receptacle which is provided in Model ZCBB must be wired into your home (residence) in order to have electricity to operate blower motor. If receptacle hasn't been wired in during installation of ZCBB you may need to contact a licensed electrician. The Model ZCBB also has a thermostat, wires and an ON/OFF switch standard on all units.

“WARNING: Any changes to this heater or its controls can be dangerous.”

- A. First remove burner base and logs. Be sure to turn “OFF” gas supply before disconnecting supply line.
- B. Remove (10) ten hex-head self-piercing screws that hold down the motor cover plate on inner bottom of unit.
- C. Locate (2) two wires that come down back of rear air channel from thermostat. Connect (1) one of thermostat wires to top terminal on “ON/OFF” switch.
- D. Connect black power cord wire to the 24" jumper wire provided, then attach jumper wire to middle terminal on “ON/OFF” switch. Next connect remaining thermostat wire to (1) of wires coming from motor. Connect white power cord wire to white motor wire. The green power cord wire should be screwed to motor bracket as ground wire. Place blower motor in cover plate opening. Position blower motor into air channel on rear of unit centering blower motor. It is best to leave about a 1/8" space between blower and back of air channel. This will reduce the chance of vibrating or noise.
- E. After placing blower motor you must secure it to bottom of unit with (2) two #10x1/2 Hex Washer Head self-piercing screws provided with blower kit.
- F. Plug power cord into receptacle and reattach motor cover plate to inner bottom using screws you removed earlier.



WARNING: IF INFORMATION IN THIS MANUAL IS NOT FOLLOWED EXACTLY, A FIRE OR EXPLOSION MAY RESULT CAUSING PROPERTY DAMAGE, PERSONAL INJURY OR LOSS OF LIFE.



WARNING: CHILDREN AND ADULTS SHOULD BE ALERTED OF HIGH SURFACE TEMPERATURE AND SHOULD STAY AWAY TO AVOID BURNS OR CLOTHING IGNITION.

YOUNG CHILDREN SHOULD BE CAREFULLY SUPERVISED WHEN THEY ARE IN SAME ROOM WITH THE APPLIANCE.



WARNING: DO NOT PLACE CLOTHING OR OTHER FLAMMABLE MATERIAL ON OR NEAR APPLIANCE.

WIRING DIAGRAM (MA ZCBB714-BLOWER KIT)

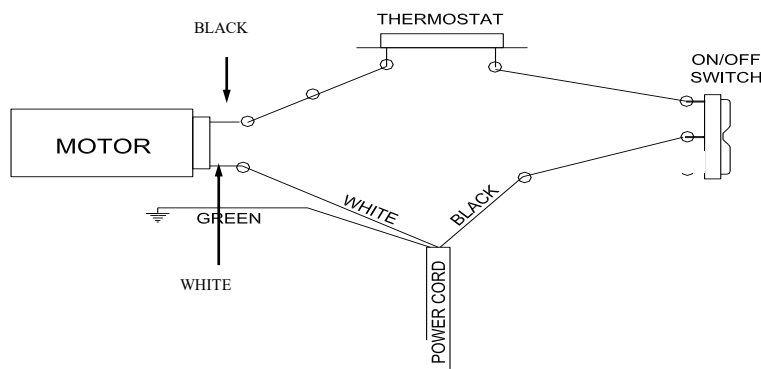


Figure 8

NOTE: If any of original wire must be replaced, it must be replaced with type 14GA. 105° C. rating wire or its equivalent.

NOTE: Installation and repair should be done by a qualified service person. This heater should be inspected before use and at least annually by a qualified service technician. More frequent cleaning may be required due to excessive lint from carpeting, bedding material, pet hair, etc. It is imperative that control compartments and circulating air passageways of heater be kept clean.

~~**Caution:** Label all wires prior to disconnection when servicing these controls. Wiring errors may cause operational damage.~~



Verify proper operations after servicing.

NOTE: THE N.B.C. OPTIONAL FAN KIT MUST BE ELECTRICALLY GROUNDED IN ACCORDANCE WITH LOCAL CODES. IN THE ABSENCE OF LOCAL CODES, NATIONAL ELECTRICAL CODE, ANSI/NFPA 70 MUST BE USED.

REPLACEMENT PARTS

1. HOOD VISOR - # PS362014
2. REAR REFRACTORY AND 2^x SIDE REFRACTORY - # PO362048
3. DOOR KIT - # MAZCBBDOORS
4. ON/OFF SWITCH - # PE RA911VB
5. JUMPER WIRES - # PE 30JUMPER
6. THERM O DISC 140° - # PE 400130

**PARTS MAY BE OBTAINED THROUGH YOUR LOCAL NBC DEALER.
IN ABSENCE OF A DEALER, PLEASE CONTACT NEW BUCK CORPORATION AT
200 ETHAN ALLEN DRIVE, P.O. BOX 69, SPRUCE PINE, NC 28777**

OPTIONAL PARTS

DESCRIPTION	PART NUMBER
OPT. BLOWER KIT	# MA ZCBB714
MOTOR	# PE SBR085
POWER CORD	# PE 400240

NEW BUCK CORPORATION

We reserve rights to amend these specifications at any time without notice. The only warranty applicable is our standard written warranty. We offer no other warranty, expressed or implied.

LIMITED WARRANTY VENTLESS FIREBOX ENCLOSURE

New Buck warrants this product to be free from defects in materials and components for two (2) years from date of first purchase, provided that product has been properly installed, operated, and maintained in accordance with all applicable instructions. To make a claim under this warranty Bill of Sale or canceled check must be presented.

This warranty is extended only to original retail purchaser and covers cost of parts required to restore heater to proper condition. Warranty parts MUST be obtained through an authorized Buck Stove dealer and/or New Buck, who will provide original factory replacement parts. Failure to use original factory replacement parts voids this warranty. Heater must be installed by a qualified installer in accordance with all local codes and instructions furnished with unit.

Warranty does not apply to parts that are not in original condition, normal wear and tear or parts that fail or become damaged as a result of misuse, accidents, lack of proper maintenance or defects caused by improper installation.

WARRANTY DOES NOT COVER:

- Removal and re-installation cost
- Labor costs for replacements or repairs
- Transportation
- Cost of service call to diagnose trouble
- Painted surfaces
- Damage or defect caused by improper installation, accident, misuse, abuse or alteration

TO FULL EXTENT ALLOWED BY LAW OF JURISDICTION THAT GOVERNS SALE OF PRODUCT, THIS EXPRESS WARRANTY EXCLUDES ANY AND ALL OTHER EXPRESSED WARRANTIES AND LIMITS DURATION OF ANY AND ALL WARRANTIES, INCLUDING WARRANTIES OF MERCHANTABILITY AND FITNESS FOR A PARTICULAR PURPOSE TO ONE (1) YEAR FROM DATE OF FIRST PURCHASE. NEW BUCK LIABILITY IS HEREBY LIMITED TO PURCHASE PRICE OF PRODUCT AND NEW BUCK SHALL NOT BE LIABLE FOR ANY OTHER DAMAGES WHATSOEVER INCLUDING INCIDENTAL OR CONSEQUENTIAL DAMAGES.

Some states do not allow a limitation on how long an implied warranty lasts or an exclusion or limitation of incidental or consequential damages, so above limitation on implied warranties or exclusion on damages may not apply to you.

This warranty gives you specific legal rights. Other rights may vary from state to state.

OWNER REGISTRATION

The attached owner registration card must be completed in its entirety and mailed within 30 days from date of installation in order for warranty coverage to begin to:

New Buck Corporation
P.O. Box 69
Spruce Pine, NC 28777
Email: info@buckstove.com

PLEASE NOTE: Owner Registration Card must contain Authorized Buck Stove Dealer Number and Certified Installer's number (if applicable) for warranty coverage to begin.

NAME: _____
ADDRESS: _____
CITY: _____
STATE: _____ ZIP: _____
CUSTOMER EMAIL: _____
MODEL #: <u>ZCBB FIREBOX ENCLOSURE</u>
SERIAL #: _____
DATE OF PURCHASE: _____
DATE OF INSTALLATION: _____
INSTALLER'S NAME: _____
PURCHASED FROM: _____